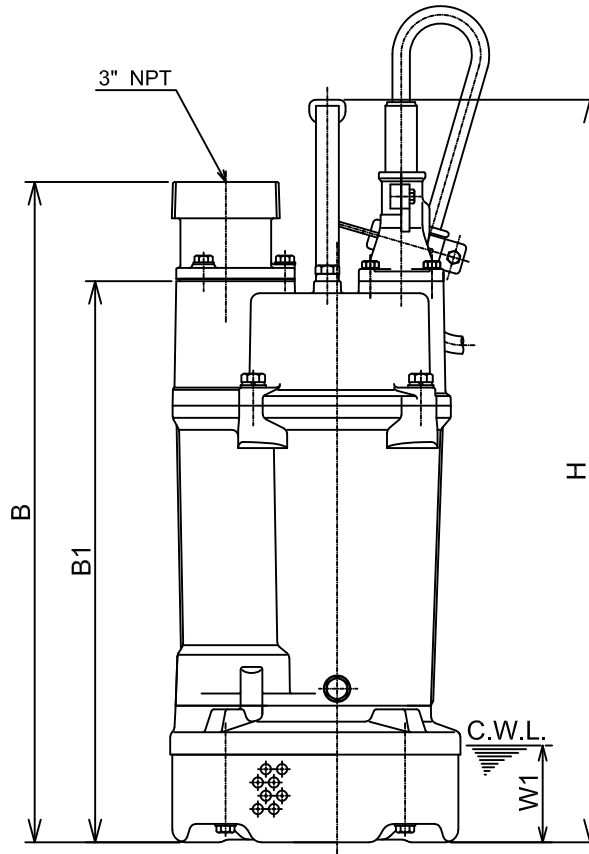
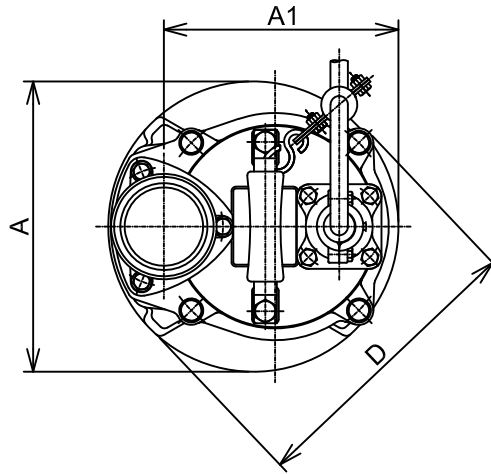




NK SERIES
SEMI-VORTEX - DEWATERING PUMPS

DIMENSIONS

NK4-22



DIMENSIONS:USCS (Inch)

Model	HP	NOM. SIZE	Pump & Motor						C.W.L.	Wt.*
			A	A1	B	B1	D	H	W1	(lbs.)
NK4-22	3	3"	9 7/16	7 5/8	21 1/2	18 1/4	9 9/16	24 3/16	3 1/4	64

DIMENSIONS:METRIC (mm)

Model	kW	NOM. SIZE	Pump & Motor						C.W.L.	Wt.*
			A	A1	B	B1	D	H	W1	(kg)
NK4-22	2.2	80	240	194	546	464	243	614	80	29

* Excluding Cable